



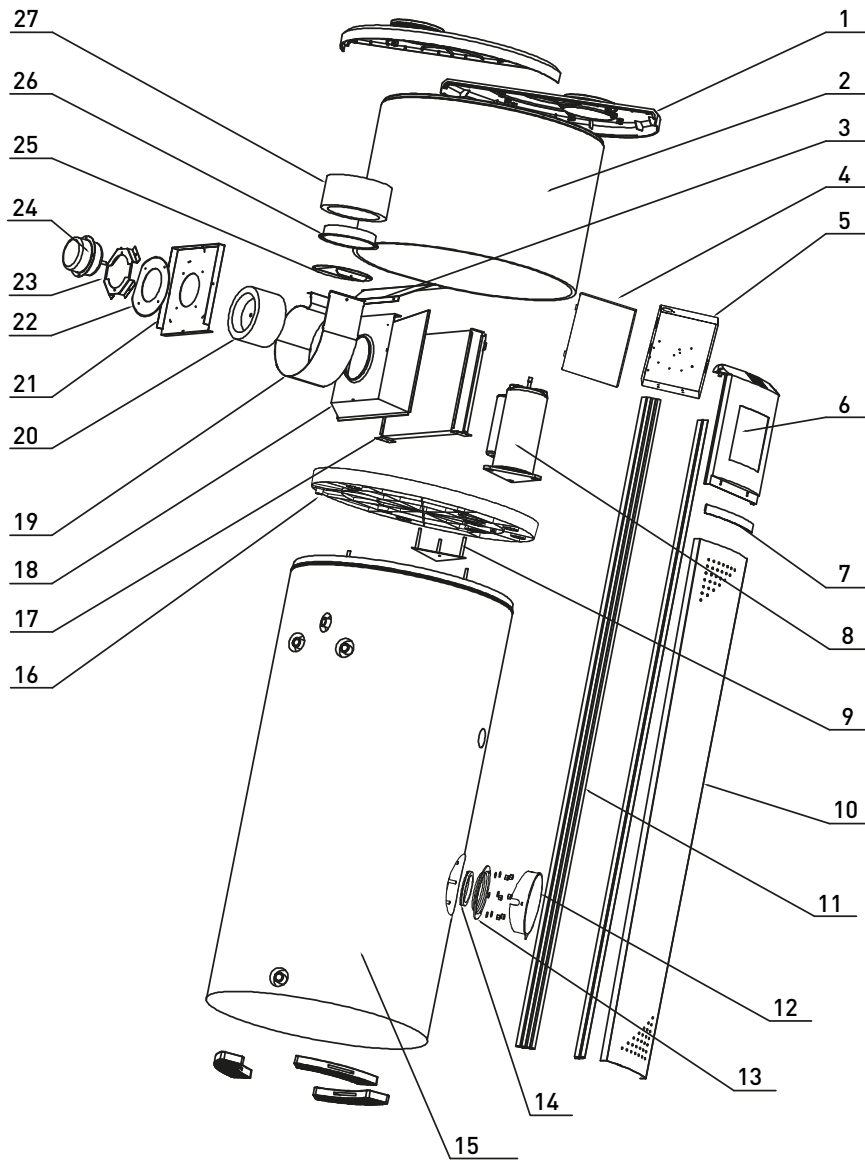
**oeko boiler®**

**NEW**

**Model: RS-Oekob02/450l**

TüV, WPZ, SVGW and FWS certified

Exploded view drawing / Technical details



1	Top Cover	2
2	Upper Cover	1
3	Upper Spacer	1
4	Electric Board Cover	1
5	Electric Board	1
6	Screen Panel	1
7	Decoration Bar	1
8	Compressor	1
9	Compressor Mounting Bracket	1
10	Decoration Panel	1
11	Aluminum Decoration Bar	2
12	Gasket	1
13	Flange	1
14	Seal	1

15	Water Tank	1
16	Host Chassis	1
17	Evaporator	1
18	Right Side Board of Ventilation Fan	1
19	Scroll Casing	1
20	Wind Wheel	1
21	Left Side Board of Ventilation Fan	1
22	Motor Mounting Panel	1
23	Motor Mounting Bracket	1
24	Motor	1
25	Outlet Baffle	1
26	Vent Pipe	1
27	Sponge	1

Model		RS-Oekob02/450L	
Heating model	Heat pump	Heat pump + electric heater	Electric heater
Rated input power	1.2	3.2	2
Rated heat capacity	4	5.8	1.8
Power supply		220-240V/50Hz	
Rated current	5.5	14.5	9.1
Max input power		3.8	
Max current		17.2	
Compressor		Panasonic / Rotary	
Auxiliary electric heater		2 kw	
Auxiliary water exchanger			
Rated output water temperature		55°C	
Refrigerant		R410a/ 1000g	
Cop		3.3	
Noise level db(a)		50 dB	
<b>Water tank</b>			
Tank volume		450l	
Material of the water tank		stainless steel sus304	
Thickness of the inner tank		1.8mm	
Thickness of the outer tank		0.6mm	
Water connection		3/4"	
Drain connection		3/4"	
Thickness of the insulation /polyurethane		50 mm	
Rated pressure		0.7MPa /tested by 1.2Mpa water pressure	
Max pressure		1.2 MPa	
<b>Heating and condenser</b>			
Condenser material		SUS304	
Condenser /water heat exchanger/coil		single skin	
Length of the coil		30m	
Thickness of the coil		0.7 mm	
Rated pressure		4.3MPa/tested by 4.5Mpa nitrogen	
Max pressure		6.0MPa	
The demension of the solar coil (solar heater exchanger)		φ21×1200mm /stainless steel	
Evaporator size (mm)		480×57×352	
<b>Ventilation system</b>			
Air duct size		φ153 mm	
Air static pressure		140 Pa	
Air flow		500 m <sup>3</sup> /h	
Fan power input		78W	
Fan motor type		centrifugal	
<b>Further technical details</b>			
Max temperature with electric heater		70°C	
Max temperature without electric heater		55°C	
Working range with electric heater		> -15°C	
Working range without electric heater		> 0°C	
Anti legionella / anti disease		magnesium stick	
Height of water inlet		65 mm	
Height of water output		1225 mm	
Height of vaporizer output		1440 mm	
Height of electric heater element		955 mm	
Height of temperature sensor		1035 mm	
Height of magnesium stick		1135 mm	
Dimension of magnesium stick		φ21×450 mm	
Dimension of electric wires		3x2.5 mm <sup>2</sup>	
Tig welding		Argon arc welding	
Vaporizer		3 channels	
Measurements		height: 200 cm / Diam.: 75 cm	
Highest transportation angle		212 cm	
Weight		140 kg	